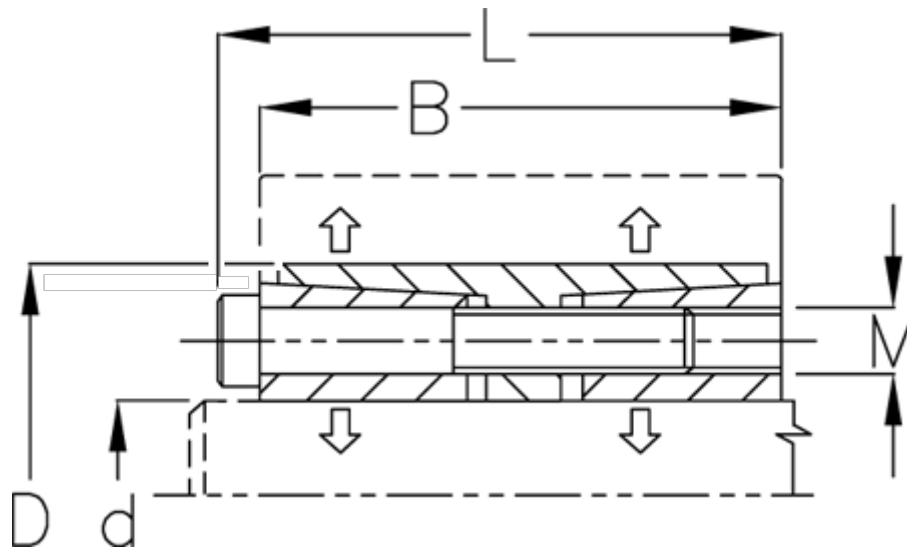


Article number: 439500220
 Description: Rota-fix shaft-hub connection F220x285
 Steel
 Note: Self centering. Very high torque

Measures



B mm	= 146
d H8 mm	= 220
D mm	= 285
Fit tolerance	= Aksel h8, Nav H8
F kN torque	= 1550.0
L mm	= 162
M mm	= M16
P N/mm ² surface pressure on shaft/hub	= 107

Surface roughness	= R? ? 3.2 µm
T N m torque	= 170000
Ts N m bolt tightening torque	= 355.0